

**Dongguan GongFu Electronic Co. Ltd. GFEFUSE** Focus on safety fuse holder

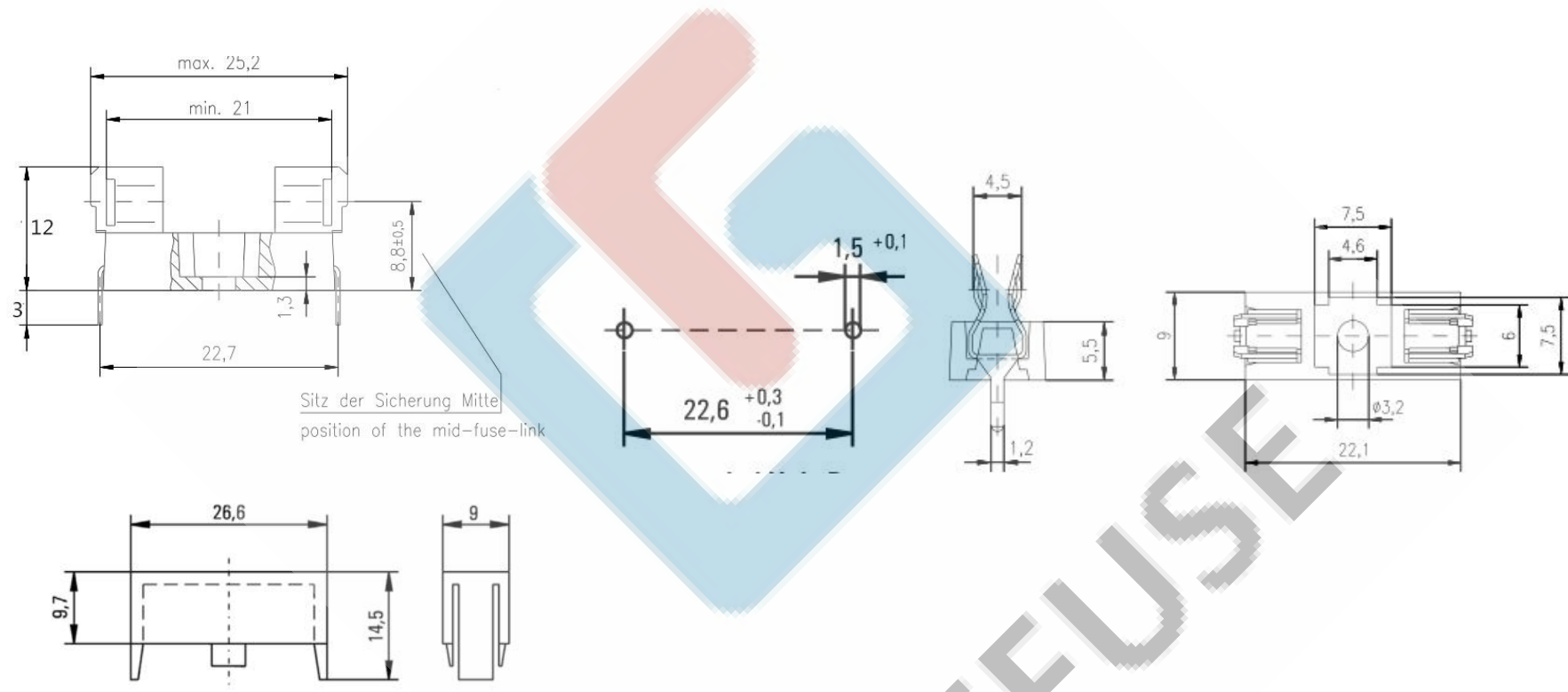
**TEL:0769-82391938**

**81100206**

**FAX:0769-82391939**

**<http://www.gfefuse.com>**

A:Mec a ca d a f d c



**IATF 16949:2016** Quality System Certification Enterprise

**UL CE CQC TUV REACH ROHS** Product international quality safety certification

**Dongguan GongFu Electronic Co. Ltd. GFEFUSE** Focus on safety fuse holder

**TEL:0769-82391938**

**81100206**

**FAX:0769-82391939**

**http://www.gfefuse.com**

B:De a ed de c f e d c

**1.Product model: PTF/15/15S/10(GFEFUSE)**

**2.rated current: 10A/6.3A 1.6w**

**3.rated voltage: 250V(AC)UL CUL TUV CE CQC  
(1000VDC)UL CUL**

**4. split current: 50A**

**5. Fuse size: 5.2x20mm**

**6.Base: Black PA66 (UL-94V0)**

**Protective cover: transparent PC(UL-94V2)**

**7.terminal: 0.4mm (phosphor)**

**8.withstand voltage: 3000VAC**

**9.contact resistance:**

**10.insulation resistance: >100MΩ**

**11.Product safety certification:TUV CE CQC UL CUL**

C:Packaging requirements

A: pedestal 500PCS/ bag

B: transparent protection cover 500PCS/ bag

C:5000pcs/ box

Note: Product changes are not notified

**IATF 16949:2016**Quality System Certification Enterprise

**UL CE CQC TUV REACH ROHS** Product international quality safety certification